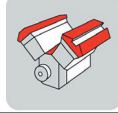


CORTECO 80001103



BMW 3er Reihe (E46)

330 d / Touring	M57N
330 xd / Touring	M57N
330 cd / Cabrio /Coupe	M57N

BMW 3er Reihe (E90/E91)

325 d / Touring	M57
330 d / Touring	M57
330 xd / Touring	M57
335 d / Touring	M57N

BMW 3er Reihe (E92)

325 d Coupe	N57N
330 d Coupe	M57N2
335 d Coupe	M57N

BMW 3er Reihe (E93)

325 d Cabrio	N57N
330 d Cabrio	N57N

BMW 5er Reihe (E60)

525 d	M57, M57N
530 d	M57, M57N2
530 xd	M57
535 d	M57, M57N

BMW 5er Reihe (E61)

525 d Touring	N57, M57N
525 xd Touring	N57
530 d Touring	N57, M57N
530 xd Touring	M57
535 d Touring	M57, M57N

BMW 6er Reihe (E63/E64)

635 d Coupé	N57N
635 d Cabrio	M57N

BMW 7er Reihe (E65)

730 d	M57N
	M57N2

BMW 7er Reihe (E66)

730 Ld	M57N
--------	------

BMW X3er Reihe (E83)

3.0 d	M57N
	M57N2
3.0 sd	N57N

BMW X5er Reihe (E53)

3.0 d	M57N
-------	------

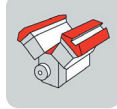
BMW X5er Reihe (E70)

3.0 d	M57
3.0 sd	M57

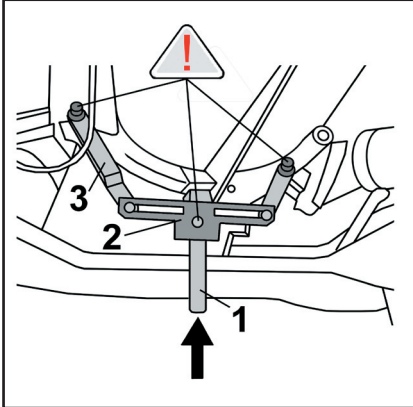
BMW X6er Reihe (E71)

3.0 d	M57D
3.5 d	M57D

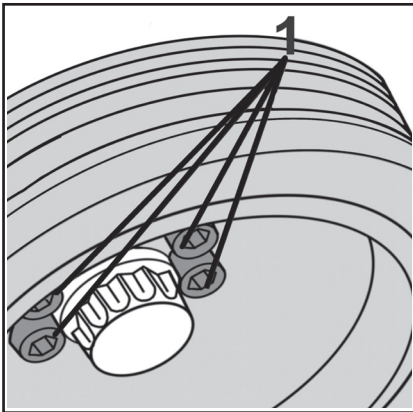
CORTECO 80001103



BMW 3er, 5er, 6er, 7er, X3, X5, X6



- 1 -> tool 11 8 182
- 2 -> tool 11 8 183
- 3 -> tool 11 8 182



- N57
- N57N
- M57
- M57D
- M57N
- M57N2

1(4x) -> 40 Nm + 60°

